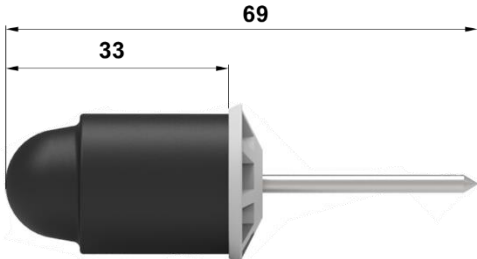


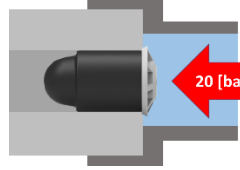
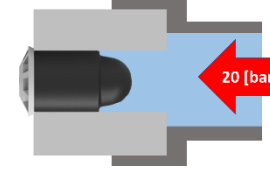
# CERTIFICATE PRESURE TEST

## RIVESTOP RS21033PS24 TESTS:

Pressure Peak of the Rivestop at  
200 meters of water column[mwc] (20 bar)

SAMPLE DETAILS			
			
Part	Material	Dimensions	
A	EPDM Rubber	33	[mm]
B	Plastic	5	[mm]
C	Stainless Steel	36	[mm]
<b>Identification:</b>		RiveStop System	
<b>Reference Parts:</b>		RS21033PS24	
<b>Description:</b>		D21x33PS	
<b>Nº batch number:</b>		2022CA-59	
<b>Number of pieced tested</b>		20 units	

TESTING INFORMATION	
<b>Testing Laboratory:</b>	RiveStop System S.L.
<b>Department:</b>	Quality Department
<b>Test report Nº:</b>	2022-0527
<b>Date of testing:</b>	2022/05/27
<b>Review Date:</b>	2022/06/03
<b>Method:</b>	Internal development
<b>Test:</b>	20 bar Pressure Peak

TEST TOOL DESCRIPTION	
 <p><b>Washer side pressure</b></p>	 <p><b>Rubber side pressure</b></p>
<b>Hole diameter:</b>	Thermoplastic Ø22mm

### METHODOLOGY:

To carry out this test, a previous hydraulic assembly is carried out that allows the test sample to be insulated by means of a closed water circuit with a pressure indicator.

The samples are applied inside the support hole according to the assembly instructions and conditioned for at least 24 hours at 23°C and 50% RH.

The sample must exceed the indicated peak pressure in less than 5 seconds. Once the indicated pressure peak is exceeded, it must remain unchanged, withstanding pressure, for at least 10 seconds.

The test has been carried out with 20 samples, 10 with washer side pressure and 10 with rubber side pressure, not appreciating any defect or failure in any of the pieces tested.

This test does not contemplate variations in the quality or handling of the concrete or the PVC pipe.



[Figure 3] Complete testing installation

**RESULT:**

**OK, NO LEAKS**